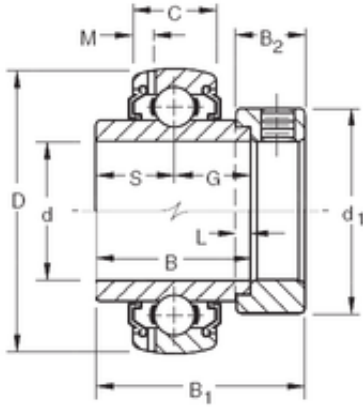




# TIMKEN BEARINGS INDUSTRY

## 30,1625 mm x 62 mm x 36,51 mm TIMKEN G1103KLLB Insert Bearings Spherical OD



Bearing No. G1103KLLB

Size	30.1625x62x36.51 mm
Bore Diameter	30,1625 mm
Outer Diameter	62 mm
Width	36,51 mm
d	30,1625 mm
D	62 mm
B	36,51 mm
C	18 mm
d1	44,4 mm
B1	48,4 mm
B2	15,9 mm
G	18,3 mm
L	4 mm
M	3,96 mm
S	18,3 mm
Weight	0,395 Kg
Basic dynamic load rating (C)	21,8 kN

G1103KLLB Bearing 2D drawings and 3D CAD models